



Launch
PXR



Compact industrial PCs

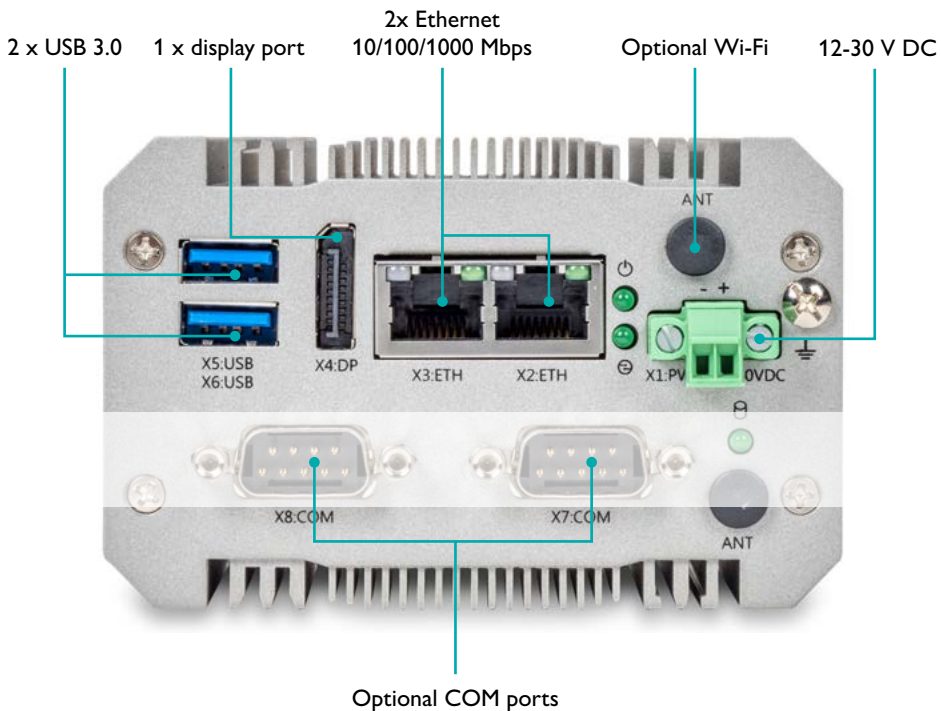
The box IPC for small cabinets and junction boxes

Tiny yet powerful – ultra-compact box IPC for IIoT applications

The ultra-compact embedded BL2 BPC 1500 box IPC is the perfect fit for entry-level automation and IIoT applications such as EDGE computing or decentralized data collection. The fanless design, solid-state mass storage, and heavy-duty metal housing allow for 24/7 operation in demanding industrial applications.

Your advantages

- ✓ Ultra-compact design
- ✓ Fanless
- ✓ Efficient performance with Intel Celeron N3350 CPU
- ✓ High reliability with solid state mass storage
- ✓ Secure hardware with optional TPM 2.0



General technical data



Choose from over 10 models featuring:

- Ultra-compact design
- Intel Celeron N3350 CPU
- 2 or 4GB RAM*
- 32, 64, or 128GB mass storage*
- Windows 10 IoT*
- 12 to 30 V DC input power
- Standard DIN rail-mount
- Optional wall mount
- Optional serial ports
- Optional TPM 2.0
- Optional WLAN 802.11
- UL ordinary location approval

* model specific

To see the entire portfolio of the new compact box IPC family visit:

www.phoenixcontact.com/compactIPC

		
Description	BL2 BPC 1501S	BL2 BPC 1501E
Processor	Intel Celeron N3350 1.1/2.4 GHz	
Size	97 x 95 x 46 mm	97 x 95 x 63 mm
List price	Starting at \$499	Starting at \$599

USA

Phoenix Contact USA, Inc.

P.O. Box 4100

Harrisburg, PA 17111-0100

Phone: 800-888-7388

717-944-1300

Technical Service: 800-322-3225

Fax: 717-944-1625

Email: info@phoenixcon.com

Website: www.phoenixcontact.com