

 LIMITED LIFETIME
WARRANTY
BUILD WITH CONFIDENCE

PTCB series

Narrow electronic circuit breakers for 24 V DC

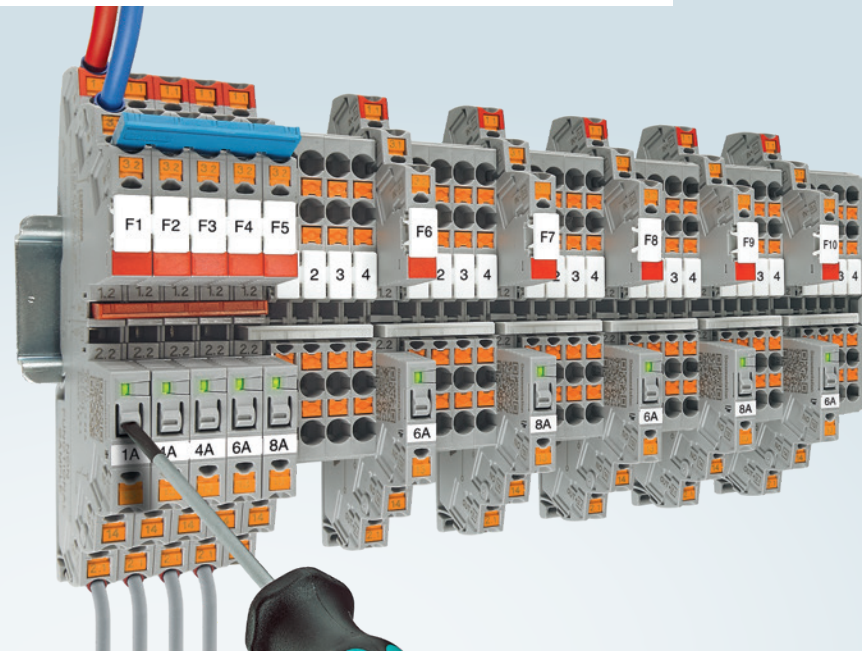
Narrow electronic circuit breakers

At 6.2 millimeters wide, PTCB narrow electronic circuit breakers easily find space even in the most densely populated control cabinets while delivering protection to critical loads. PTCB electronic circuit breakers cover a wide range of applications and are available for either fixed current or programmable current, adjustable from 1 to 8 amps. The single-channel PTCB series is Listed to UL 508 and Recognized to UL 2367. NEC Class 2 solutions are also available to eliminate fire and shock hazards.

Two families of PTCB products are available. Standard PTCB offers a Normally Open (NO) dry contact output to indicate when the circuit trips. The distinguishing feature of the second family is a status inverted-reset (SI-R). The SI-R utilizes a digital status output to indicate when the circuit trips. It also has a separate digital reset input that enables a tripped device to reset remotely.



For more information about how the PTCB narrow electronic circuit breakers work with our Limited Lifetime Warranty, please visit: www.phoenixcontact.com/LLW



Normally Open (NO)						
		Nominal current	Operating voltage	Part description	Part no.	NEC Class 2
Programmable current setting	1-3 A	18...27.5 V DC	PTCB E1 24DC/1-3A NO	2909909	✓	
	1-8 A	18...30 V DC	PTCB E1 24DC/1-8A NO	2908262	✓	
Fixed current setting	1 A	18...30 V DC	PTCB E1 24DC/1A NO	2909902	✓	
	2 A	18...30 V DC	PTCB E1 24DC/2A NO	2909903	✓	
	3 A	18...27.5 V DC	PTCB E1 24DC/3A NO	2909904	✓	
	4 A	18...30 V DC	PTCB E1 24DC/4A NO	2909906	✓	
	6 A	18...30 V DC	PTCB E1 24DC/6A NO	2909908	✓	
	8 A	18...30 V DC	PTCB E1 24DC/8A NO	2909910	✓	

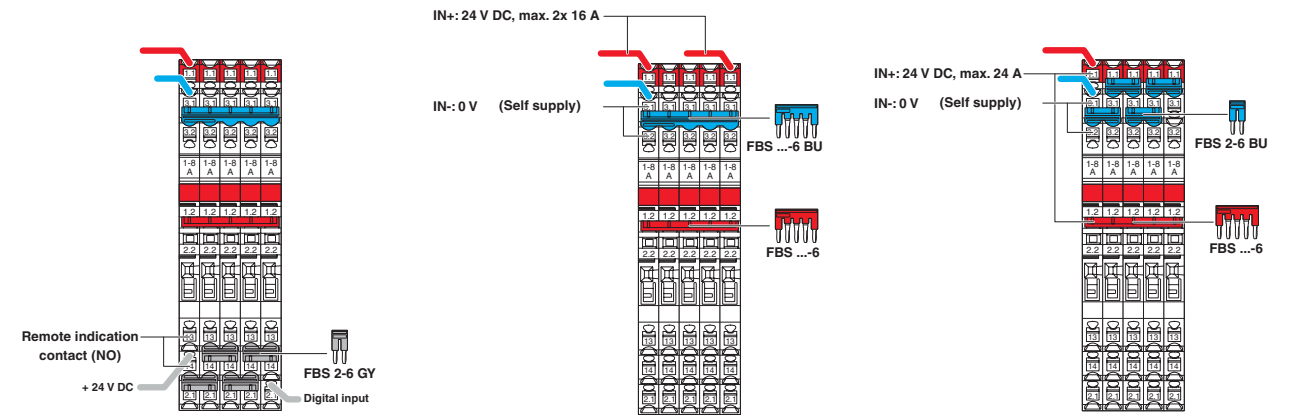
Status Inverted-Reset (SI-R)						
		Nominal current	Operating voltage	Part description	Part no.	NEC Class 2
Programmable current setting	1-4 A	18 V DC ... 27.5 V DC	PTCB E1 24DC/1-4A SI-R	1135753	✓	
	1-8 A	18 V DC ... 30 V DC	PTCB E1 24DC/1-8A SI-R	1135752	✓	
Fixed current setting	1 A	18 V DC ... 30 V DC	PTCB E1 24DC/1A SI-R	1135751	✓	
	2 A	18 V DC ... 30 V DC	PTCB E1 24DC/2A SI-R	1135749	✓	
	4 A	18 V DC ... 27.5 V DC	PTCB E1 24DC/4A SI-R	1135745	✓	
	6 A	18 V DC ... 30 V DC	PTCB E1 24DC/6A SI-R	1135740	✓	
	8 A	18 V DC ... 30 V DC	PTCB E1 24DC/8A SI-R	1135734	✓	

Accessories

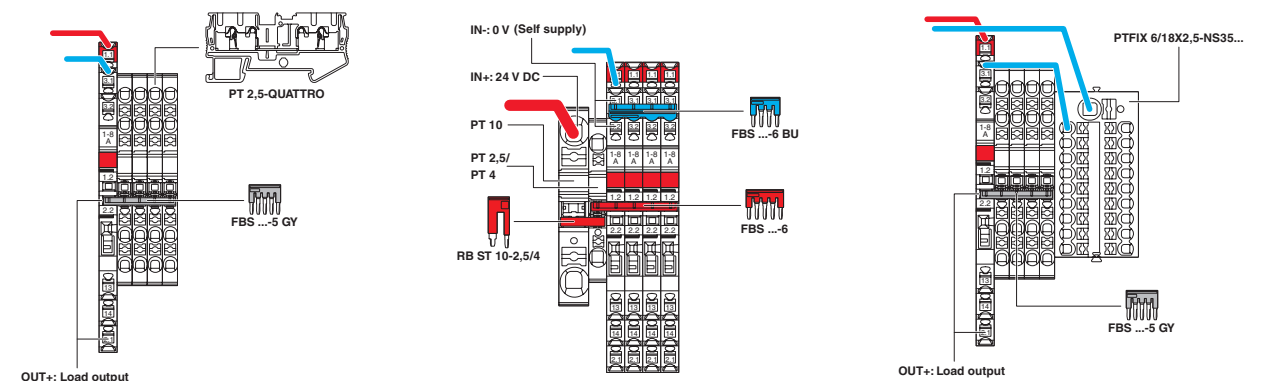
The PTCB product family is compatible with standard terminal blocks and accessories from the CLIPLINE complete system. Integration into your application is simple and quick.

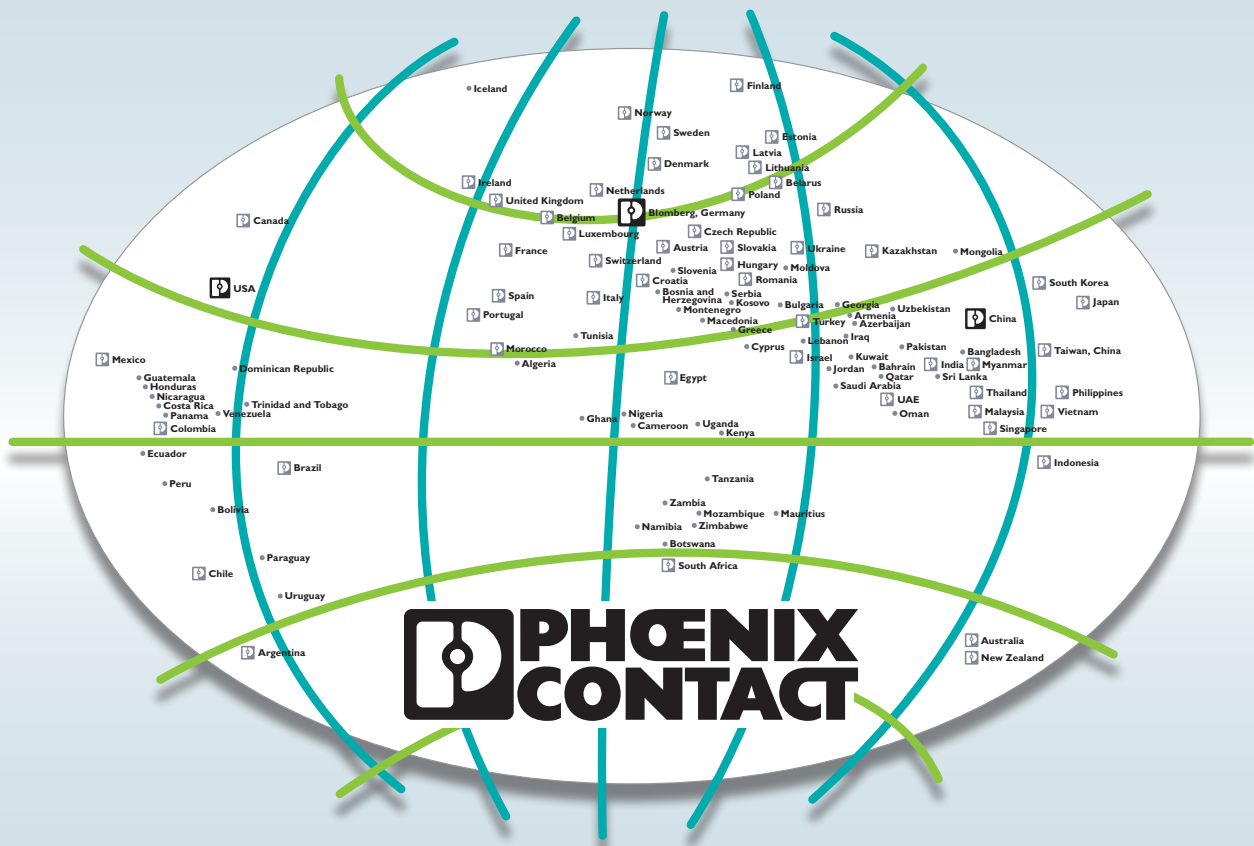
Plug-in bridging to connect to adjacent PTCB and CLIPLINE complete terminal blocks											
5.2 mm Pitch				6.2 mm Pitch				10 mm Pitch			
Color	Part number	Type description	No. of positions	Color	Part number	Type description	No. of positions	Color	Part number	Type Description	No. of positions
Red	3030161	FBS 2-5	2 position, Plug-in bridge	Red	3030336	FBS 2-6	2 position, Plug-in bridge	Red	3030873	RB ST 10- (2,5/4)	2 position, Reducing bridge
	3030174	FBS 3-5	3 position, Plug-in bridge		3030242	FBS 3-6	3 position, Plug-in bridge				
	3030187	FBS 4-5	4 position, Plug-in bridge		3030255	FBS 4-6	4 position, Plug-in bridge				
	3030190	FBS 5-5	5 position, Plug-in bridge		3030349	FBS 5-6	5 position, Plug-in bridge				
Blue	3036877	FBS 2-5 BU	2 position, Plug-in bridge	Blue	3036932	FBS 2-6 BU	2 position, Plug-in bridge				
	3036880	FBS 3-5 BU	3 position, Plug-in bridge		3036945	FBS 3-6 BU	3 position, Plug-in bridge				
	3036893	FBS 4-5 BU	4 position, Plug-in bridge		3036958	FBS 4-6 BU	4 position, Plug-in bridge				
	3036903	FBS 5-5 BU	5 position, Plug-in bridge		3036961	FBS 5-6 BU	5 position, Plug-in bridge				
Gray	3038969	FBS 2-5 GY	2 position, Plug-in bridge	Gray	3032237	FBS 2-6 GY	2 position, Plug-in bridge				
	3038972	FBS 3-5 GY	3 position, Plug-in bridge		3032240	FBS 3-6 GY	3 position, Plug-in bridge				
	3038985	FBS 4-5 GY	4 position, Plug-in bridge		3032279	FBS 4-6 GY	4 position, Plug-in bridge				
	3038998	FBS 5-5 GY	5 position, Plug-in bridge		3032266	FBS 5-6 GY	5 position, Plug-in bridge				

Bridging to adjacent PTCB



Bridging to adjacent CLIPLINE Complete terminal blocks





Ongoing communication with customers and partners worldwide

Phoenix Contact is a global market leader based in Germany. We are known for our future-oriented components, systems, and solutions in the fields of electrical engineering, electronics, and automation. With a global network reaching across more than 100 countries with over 17,400 employees, we stay in close contact with our customers, something we believe is essential for success.

Our wide variety of innovative products makes it easy for our customers to find future-oriented solutions for multiple applications and industries. We focus predominantly on the fields of energy, infrastructure, process, and factory automation.

You can find your local partner at

www.phoenixcontact.com