

# TERMITRAB Complete TTC 6P-4

Surge protection for 4-wire measurement applications

## Pluggable surge protection for 4-wire applications

TTC-6P-4 is the world's narrowest pluggable surge protection solution for 4-wire applications. With an overall width of 6 mm (only 1.5 mm per conductor), it reliably protects your measurement and control applications from transient overvoltages while requiring minimum space.

The TTC 6P-4 surge protection devices are part of the complete control cabinet solution from Phoenix Contact. Sensors and actuators are susceptible to damage from transient overvoltages, and resulting failures can have devastating effects. Our surge protective devices offer an ideal solution and help to avoid system failures for all applications. TTC-6P-4 has been successfully tested to UL 497B, including Class I Division 2 approval for hazardous locations. This means that the TTC-6P-4 can be used worldwide.

## Main features

**Extremely narrow overall width**  
Space-saving overall width of just 6 mm for up to 4 wires

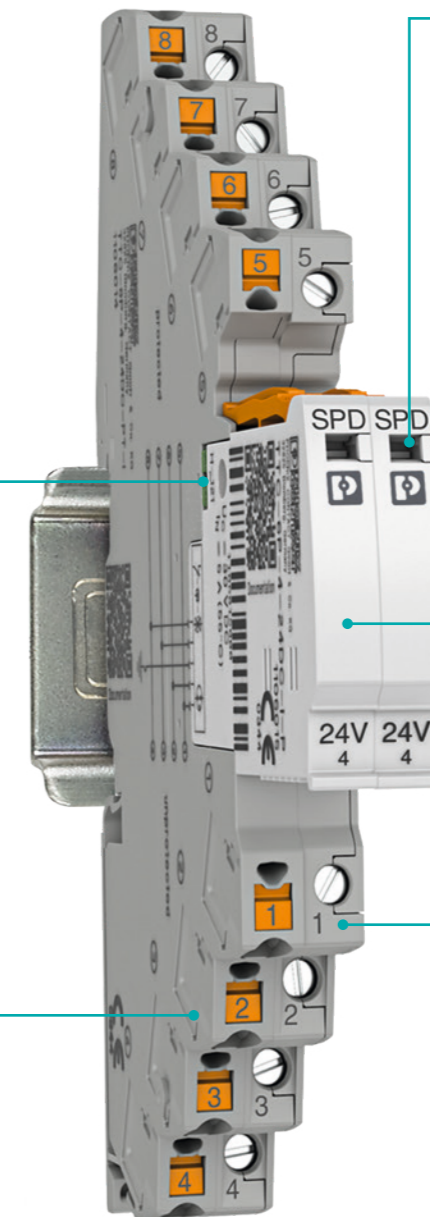
**Optional remote signaling function**  
Continuous monitoring of protective devices

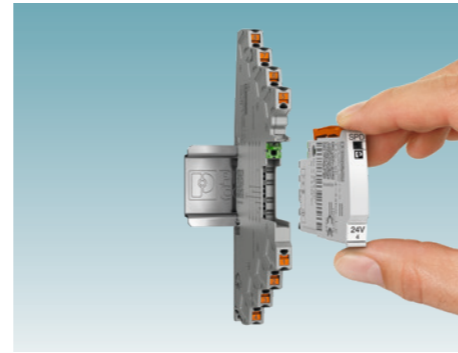
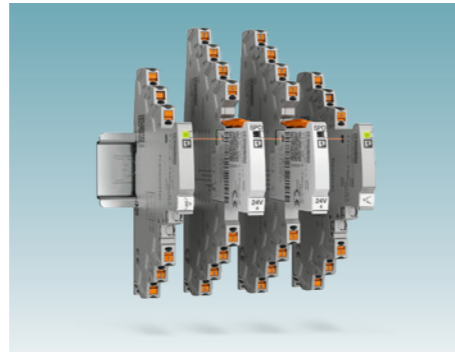
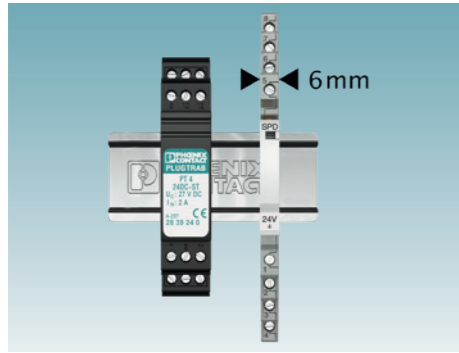
**Connections for up to 4 wires**  
For the protection of impedance-sensitive measurement circuits

**Know your status at a glance**  
Integrated status indicator without auxiliary power

**Impedance-neutral plugging and removal of the plug for maintenance purposes**  
Easy replacement of the protective plug, without affecting the signal

**Push-in or screw connection**  
The choice is yours: Push-in or screw connection technology





### Efficient use of space

With an overall width of 6 mm, this protective device is particularly compact and allows a higher packing density in the control cabinet.

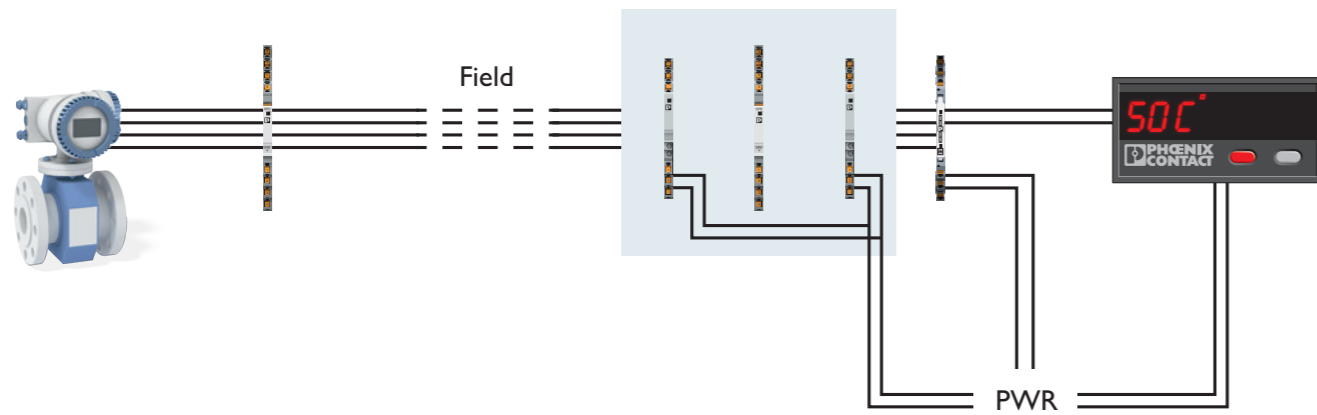
### Status at a glance

With the optional visual monitoring, you can integrate up to 40 protective devices into the remote signaling system without additional cost and effort.

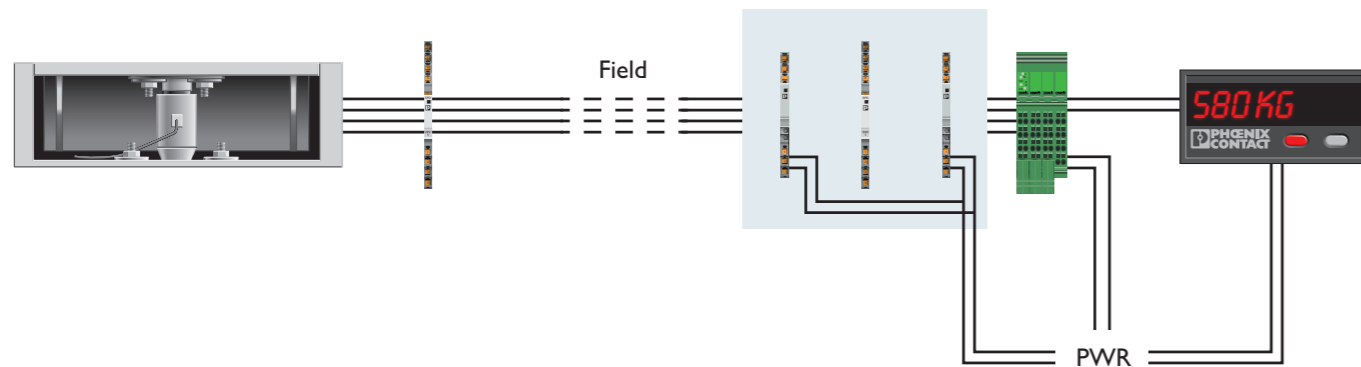
### Impedance-free plugging

Tool-free replacement of the surge protection module during ongoing operation that doesn't effect the measuring signal.

## Surge protection on a sensitive temperature measurement system with 4-wire technology



## Surge protection on a weighing system with 4-wire technology



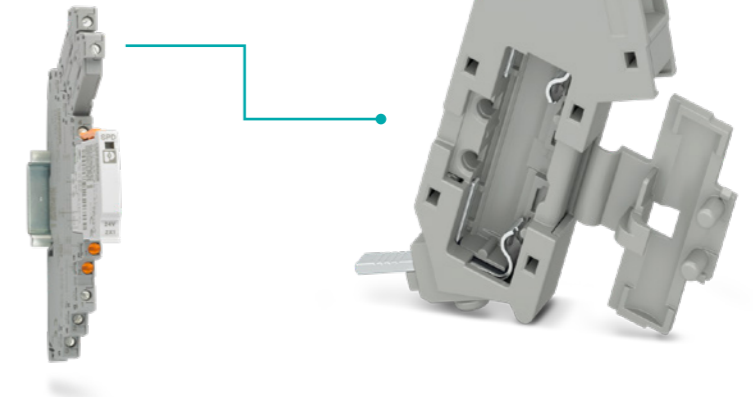
### Did you know...

...that the new surge protection solution for 4-wire applications can also be used for the foundation fieldbus? Since the base element doesn't contain any decoupling resistors, the TTC-6P-4... devices are also suitable for the data transmission rates in these applications.

Naturally, you do not have to connect all four terminal points to the protective device for 4-wire applications. Where necessary, you can also reliably protect applications for resistance-dependent measurements with just two or three conductors against overvoltages.

If you select the product version with screw connection technology, you can also use the TTC-6-FC-UT fuse holder (1054762) that

is also available. This allows you to protect your applications against overcurrents while also taking up the narrowest space. You can use conventional 5x20 mm miniature fuses in the fuse holder.



**i** Web code: #2422

### Description

### Surge protection for 4-wire measurements

### Replacement plug

Nominal voltage

24 V DC

Rated current

2.5 A

Order No.

1106014

1106013

1106015

Type

TTC-6P-4-24DC-PT-I

TTC-6P-4-24DC-UT-I

TTC-6P-4-24DC-I-P

Connection technology

Push-in

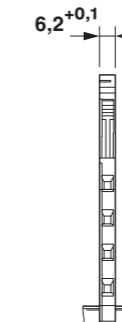
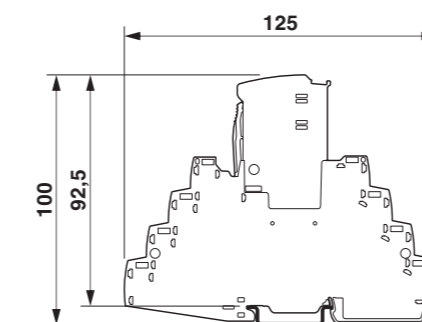
Screw

-

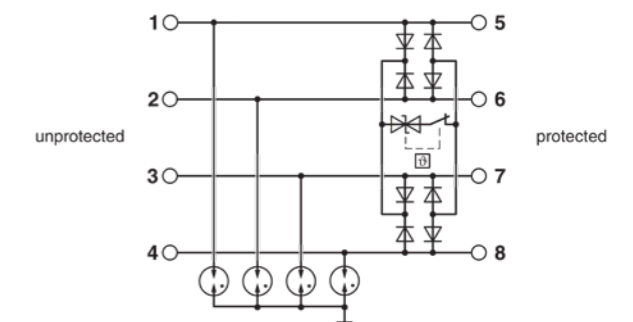
Approvals

UL Listed to 497B, Class I Division 2

### Dimensions



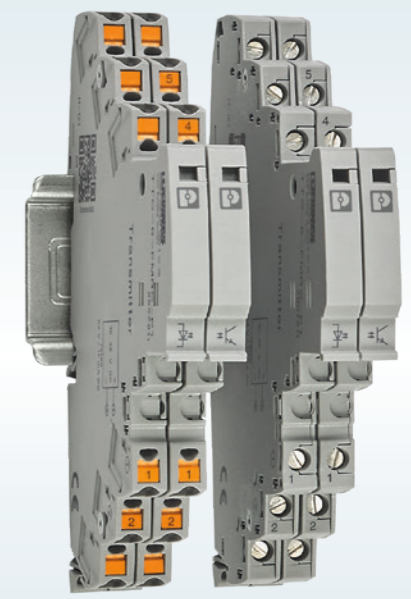
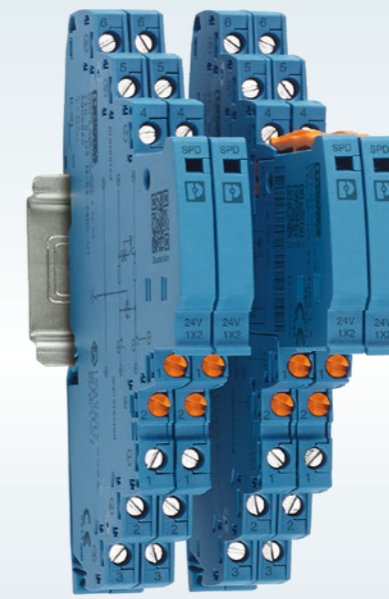
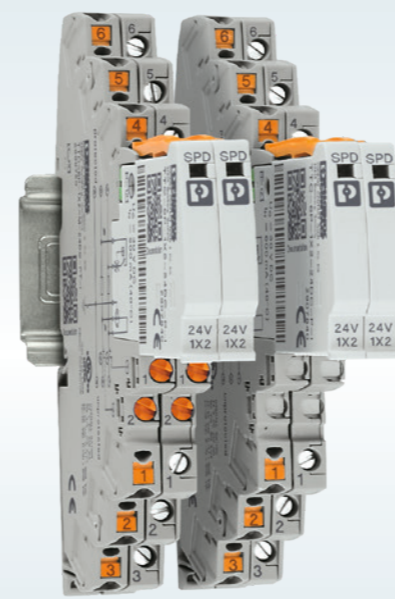
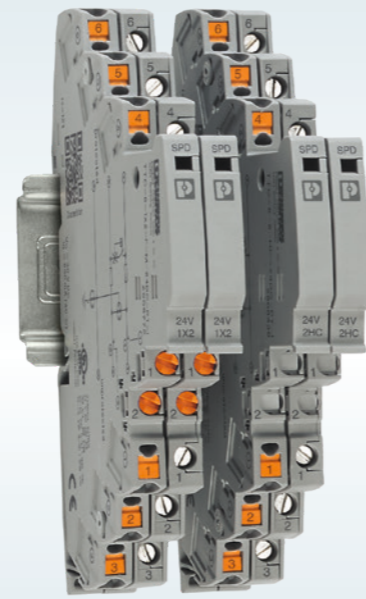
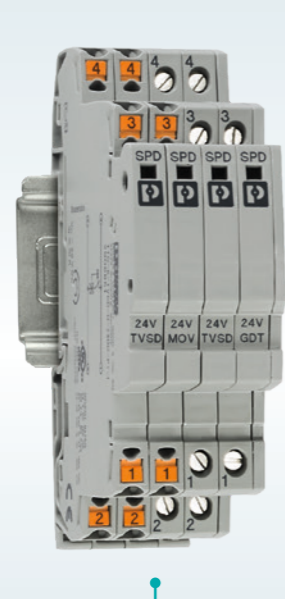
### Circuit diagram



# Tailored portfolio

The TERMITRAB complete product family is a tailored product range for all applications in measurement and control technology. You will find the ideal TERMITRAB complete version for your requirements in the portfolio. Depending on your individual needs, choose from simple protective devices in an ultra-slim design to items with testable protective plugs, signaling, and optional remote signaling modules.

- ### Possible selection parameters
- 3.5 mm or 6 mm overall width
  - Push-in or screw connection
  - Multi-stage or single-stage protective circuit
  - One-piece or pluggable
  - With or without status indicator
  - With or without knife disconnection
  - Non-Ex areas or Ex areas



**Ultra-narrow**

- 3.5 mm overall width
- Push-in connection

**Single-stage protective circuit**

- 6 mm overall width
- Push-in or screw connection
- With status indicator

**One-piece**

- 6 mm overall width
- Push-in or screw connection
- Multi-stage protective circuit
- Without status indicator
- Without knife disconnection

**One-piece with indication**

- 6 mm overall width
- Push-in or screw connection
- Multi-stage protective circuit
- With status indicator
- With or without knife disconnection

**Pluggable**

- 6 mm overall width
- Push-in or screw connection
- Multi-stage protective circuit
- With status indicator
- With or without knife disconnection

**Pluggable 4-wire**

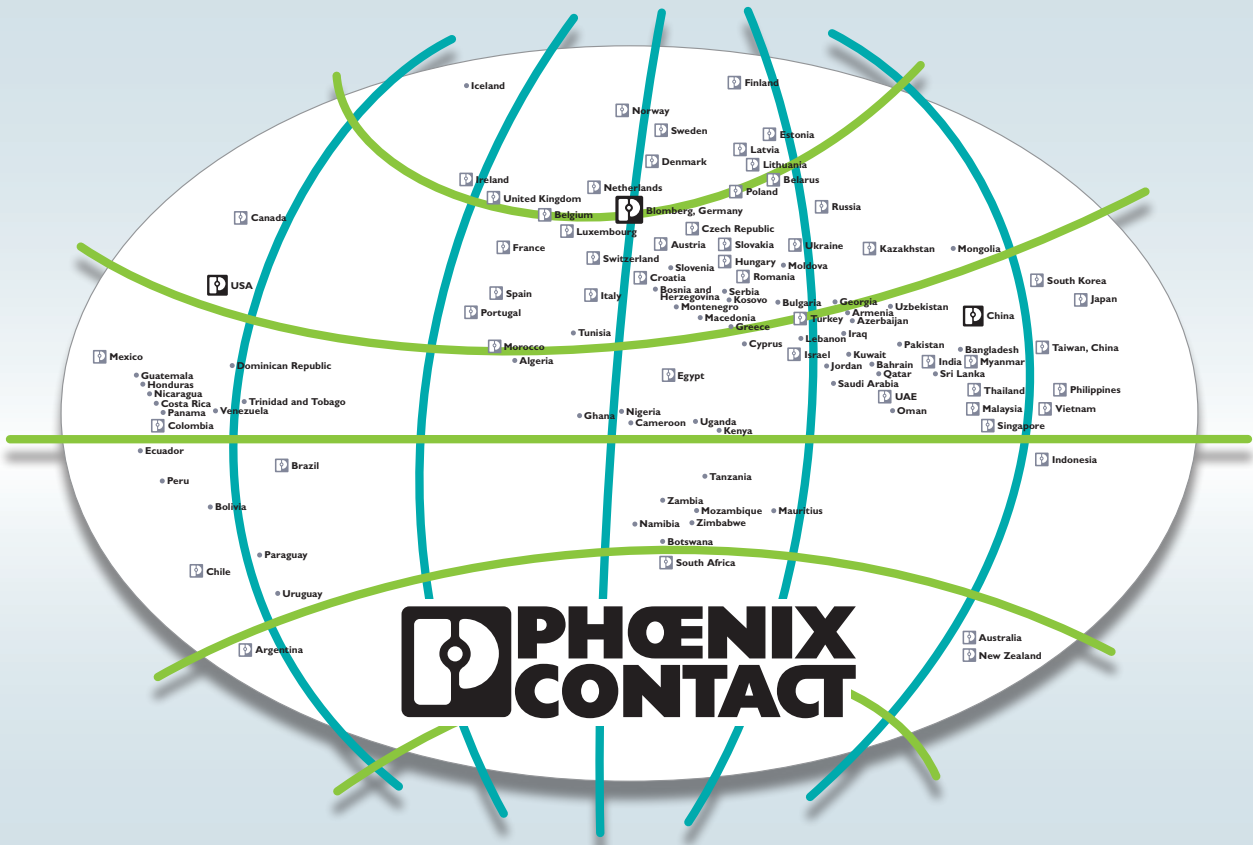
- 6 mm overall width
- Push-in or screw connection
- Multi-stage protective circuit
- With status indicator

**Ex versions**

- 6 mm overall width
- Screw connection
- Multi-stage protective circuit
- One-piece or pluggable
- With status indicator
- With or without knife disconnection
- For Ex areas

**Optional remote signaling sets**

- 6 mm overall width
- Push-in or screw connection
- Floating contact
- One-piece
- With status indicator
- Transmitter module
- Receiver module



## Ongoing communication with customers and partners worldwide

Phoenix Contact is a global market leader based in Germany. We are known for our future-oriented components, systems, and solutions in the fields of electrical engineering, electronics, and automation. With a global network reaching across more than 100 countries with over 17,400 employees, we stay in close contact with our customers, something we believe is essential for success.

Our wide variety of innovative products makes it easy for our customers to find future-oriented solutions for multiple applications and industries. We focus predominantly on the fields of energy, infrastructure, process, and factory automation.

You can find your local partner at

[www.phoenixcontact.com](http://www.phoenixcontact.com)